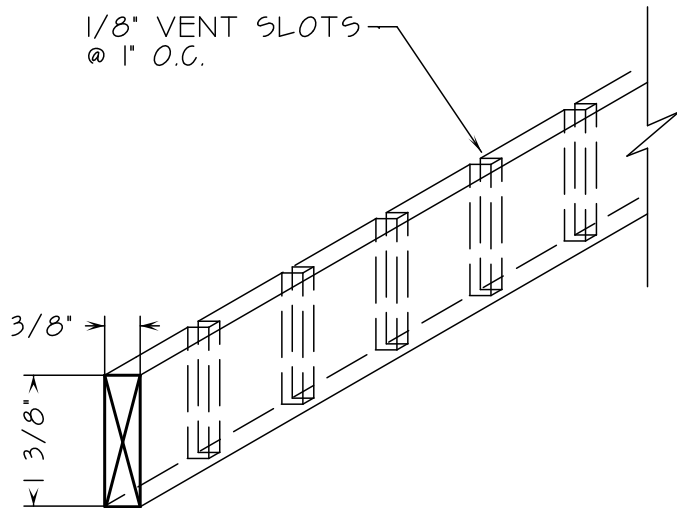
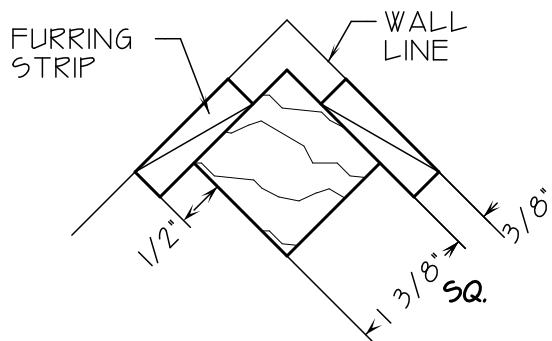


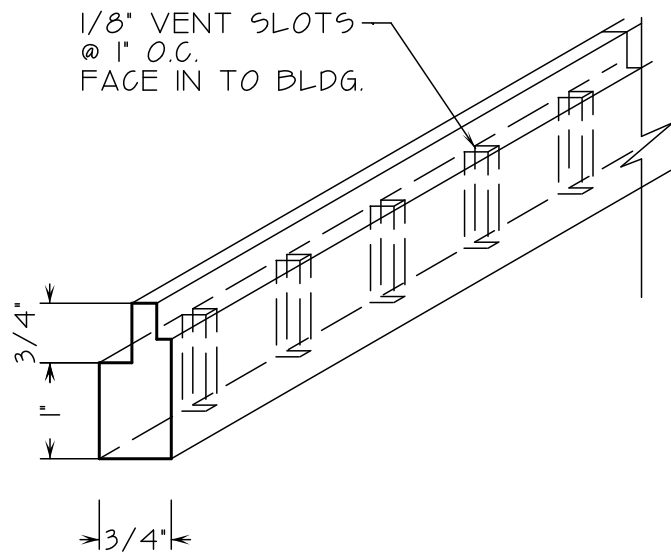
DOOR / WINDOW TRIM



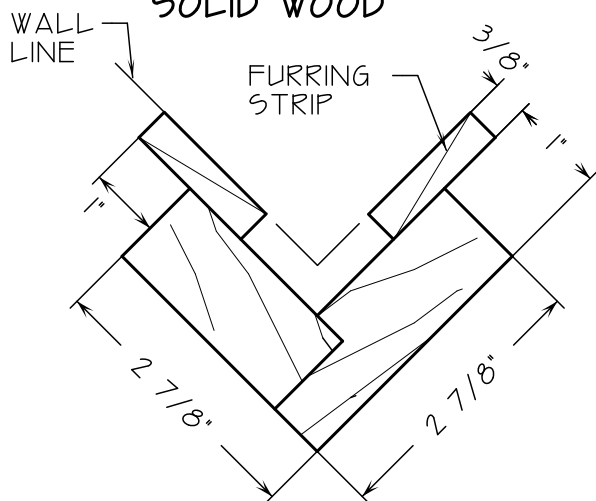
VENTED FURRING STRIP



INSIDE CORNER SOLID WOOD



VENTED STARTER STRIP



OUTSIDE CORNER SOLID WOOD

HALF SCALE

7
DATE 5/20/05

PREMIER FOREST PRODUCTS INC.

ACCESSORIES DETAIL  
PATENT PENDING

PROJECT
SHINGLE PANEL
REV. SEPT. 9, 2007
DRAWN: RBAJ